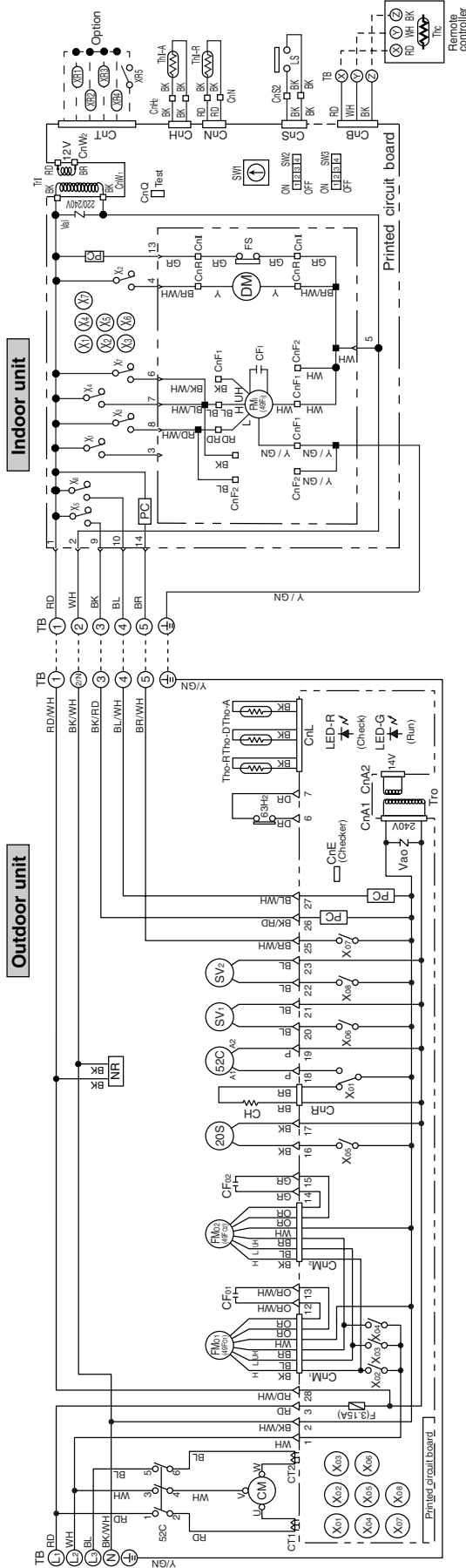


**Power source**  
3 Phase 380/415V 50Hz



**Meaning of marks**

| Mark    | Parts name                  | Mark    | Parts name                         |
|---------|-----------------------------|---------|------------------------------------|
| CF1     | Capacitor for FMI           | Th-R    | Thermistor                         |
| CF01,2  | Capacitor for FMO           | Tho-A   | Thermistor                         |
| CH      | Crankcase heater            | Tho-R   | Thermistor                         |
| CM      | Compressor motor            | Tr1     | Transformer (Indoor unit)          |
| CnA ~ Z | Connector (□ mark)          | Tr0     | Transformer (Outdoor unit)         |
| CT1,2   | Current sensor              | Val     | Valve solenoid                     |
| F       | Fuse                        | Vao     | Varistor                           |
| FMI     | Fan motor (Indoor unit)     | 20S     | 4-way valve solenoid               |
| FM01,2  | Fan motor (Outdoor unit)    | 49F1    | Internal thermostat for FMI        |
| NR      | Surge suppressor            | 49F01,2 | Internal thermostat for FMO        |
| DM      | Drain motor                 | 52C     | Magnetic contactor for CM          |
| FS      | Float switch                | X1-7    | Auxiliary relay                    |
| PC      | Photo coupler               | X01-08  | Auxiliary relay                    |
| SV1,2   | Solenoid coil (for control) | 63H2    | High pressure switch (for control) |
| SW1     | Switch (Address set)        | ▽       | Terminal (F)                       |
| SW2,3   | Changeover switch           | □       | Connector                          |
| TB      | Terminal block (○ mark)     | LED-G   | Indication lamp (Green)            |
| Thc     | Thermistor                  | LED-R   | Indication lamp (Red)              |
| Th-A    | Thermistor                  |         |                                    |

**Color mark**

| Mark | Color  | Mark  | Color        |
|------|--------|-------|--------------|
| BK   | Black  | Y     | Yellow       |
| BL   | Blue   | BK/RD | Black/Red    |
| BR   | Brown  | BK/WH | Black/White  |
| GR   | Gray   | BL/WH | Blue/White   |
| OR   | Orange | BR/WH | Brown/White  |
| P    | Pink   | OR/WH | Orange/White |
| RD   | Red    | RD/WH | Red/White    |
| WH   | White  | Y/GN  | Yellow/Green |