

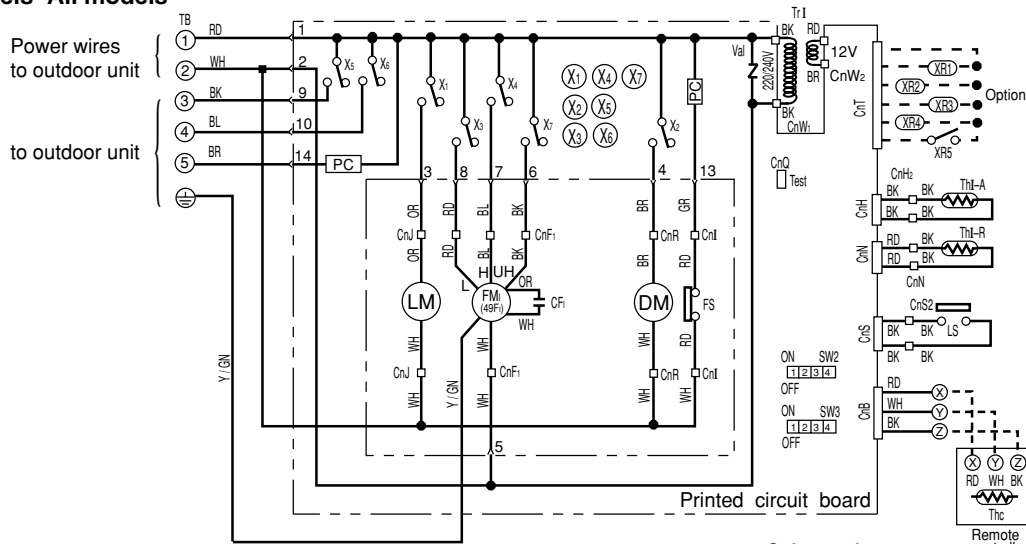
# 18.3 ELECTRICAL DATA

## 18.3.1 Electrical wiring

### (1) Indoor unit

#### (a) Ceiling recessed type (FDT)

Models All models



#### Meaning of marks

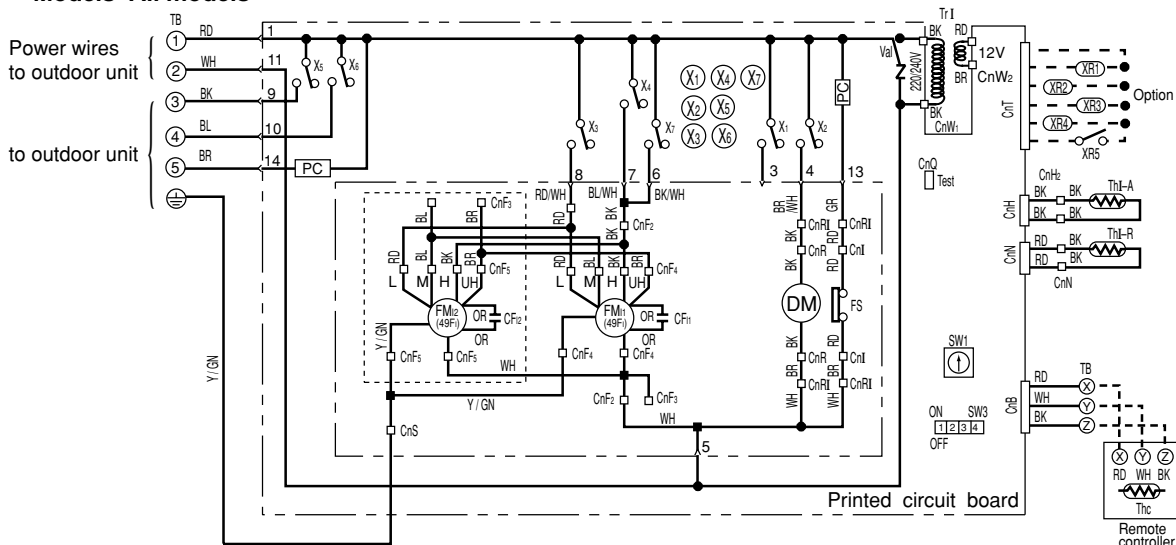
Mark	Parts name	Mark	Parts name	Mark	Parts name
FMi	Fan motor (indoor unit)	X3, 4, 7	Auxiliary relay (for LM)	CnA-W	Connector
49Fi	Internal thermostat for FMi	X5	Auxiliary relay (for 52C)	TB	Terminal block
CFi	Capacitor for FMi	X6	Auxiliary relay (for 20S, 52Fo)	◼	Connector
LM	Louver motor	Thc	Thermistor	◁	Terminal (F)
LS	Limit switch	Thi-A	Thermistor	LED-1	Indication lamp (Green-Run)
DM	Drain motor	Thi-R	Thermistor	LED-2	Indication lamp (Yellow-Check)
FS	Float switch	Tr	Transformer	SW2, 3	Changeover switch
X1	Auxiliary relay (for LM)	Val	Varistor		
X2	Auxiliary relay (for DM)	PC	Photo coupler		

#### Color mark

Mark	Color
BK	Black
BL	Blue
BR	Brown
GR	Gray
OR	Orange
RD	Red

### (b) Casseteria type (FDR)

Models All models



Note(1) "FM2" and the following wires (shown in dashed) are equipped only for FDR408, 508.

#### Meaning of marks

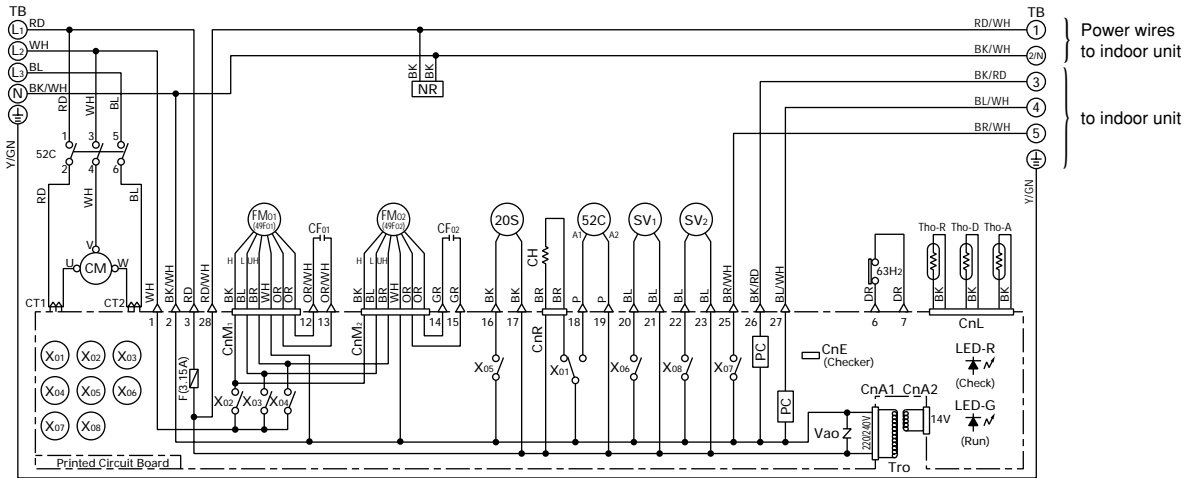
Mark	Parts name	Mark	Parts name	Mark	Parts name
FMi, 2	Fan motor (indoor unit)	X5	Auxiliary relay (for 52C)	CnA-W	Connector
49Fi	Internal thermostat for FMi	X6	Auxiliary relay (for 20S, 52Fo)	TB	Terminal block
CFi, 2	Capacitor for FMi	Thc	Thermistor	◼	Connector
DM	Drain motor	Thi-A	Thermistor	◁	Terminal (F)
FS	Float switch	Thi-R	Thermistor	LED-1	Indication lamp (Green-Run)
X1	Auxiliary relay (for LM)	Tr	Transformer	LED-2	Indication lamp (Yellow-Check)
X2	Auxiliary relay (for DM)	Val	Varistor	SW1	Switch (Address set)
X3, 4, 7	Auxiliary relay (for FMi)	PC	Photo coupler	SW3	Changeover switch

#### Color mark

Mark	Color	Mark	Color
BK	Black	WH	White
BL	Blue	Y/GN	Yellow/Green
BR	Brown	RD/WH	Red/White
GR	Gray	BL/WH	Blue/White
OR	Orange	BK/WH	Black/White
RD	Red	BR/WH	Brown/White

# V MULTI

**(2) Outdoor unit**  
**Model FDC508HES3**  
**Power source**  
**3Phase 380-415V 50Hz**



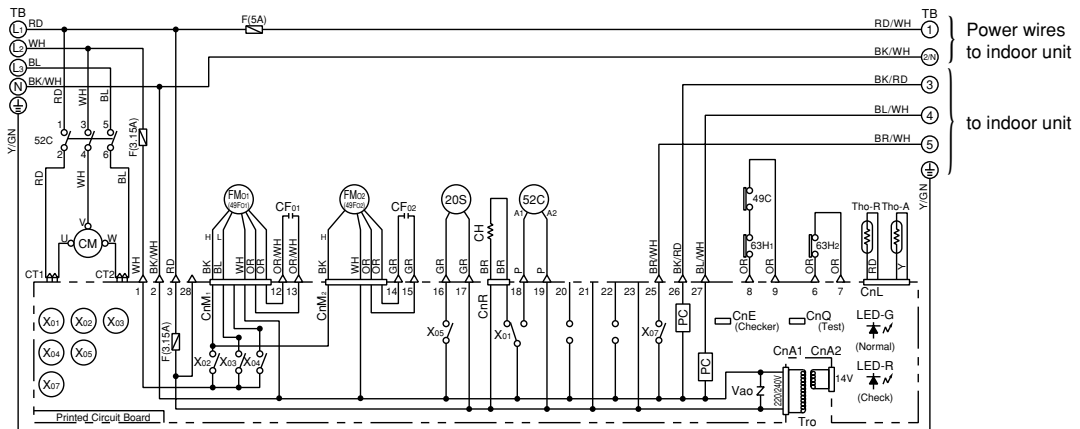
**Meaning of marks**

Mark	Parts name	Mark	Parts name
CM	Compressor motor	LED-R	Indication lamp (Red)
FMo1,2	Fan motor (outdoor unit)	CT1,2	Current sensor
52C	Magnetic contactor for CM	Tho-R	Thermistor (outdoor H.Ex.temp.)
49Fo1,2	Internal thermostat for FMo	Tho-D	Thermistor (discharge temp.)
CH	Crankcase heater	Tho-A	Thermistor (outdoor air temp.)
CFo1,2	Capacitor for FMo	Tro	Transformer
Xo1-8	Auxiliary relay	Vao	Varistor
63H2	High pressure switch (for control)	PC	Photo coupler
20S	4 way valve solenoid coil	CnA-R	Connector
SV1,2	Solenoid coil (for control)	TB	Terminal block
F	Fuse (3.15A)	NR	Surge suppressor
LED-G	Indication lamp (Green)		

**Color mark**

Mark	Color	Mark	Color
BK	Black	BK/RD	Black/Red
BL	Blue	BK/WH	Black/White
BR	Brown	BL/WH	Blue/White
GR	Gray	BR/WH	Brown/White
OR	Orange	OR/WH	Orange/White
P	Pink	RD/WH	Red/White
RD	Red	Y/GN	Yellow/Green
WH	White		

**Models FDC808HES3, 1008HES3**  
**Power source**  
**3Phase 380-415V 50Hz**



**Meaning of marks**

Mark	Parts name	Mark	Parts name
CM	Compressor motor	LED-R	Indication lamp (Red)
FMo1,2	Fan motor (outdoor unit)	LED-G	Indication lamp (Green)
52C	Magnetic contactor for CM	CT1,2	Current sensor
49C	Internal thermostat for CM	Tho-R	Thermistor (outdoor H.Ex.temp.)
49Fo1,2	Intrnal thermostat for FMo	Tho-A	Thermistor (outdoor air temp.)
CH	Crankcase heater	Tro	Transformer
CFo1,2	Capacitor for FMo	Vao	Varistor
Xo1-7	Auxiliary relay	PC	Photo coupler
63H1	High pressure switch (for protection)	CnA-R	Connector
63H2	High pressure switch (for control)	TB	Terminal block
F	Fuse		

**Color mark**

Mark	Color	Mark	Color
BK	Black	BK/RD	Black/Red
BL	Blue	BK/WH	Black/White
BR	Brown	BL/WH	Blue/White
GR	Gray	BR/WH	Brown/White
OR	Orange	OR/WH	Orange/White
P	Pink	RD/WH	Red/White
RD	Red	Y/GN	Yellow/Green
WH	White		