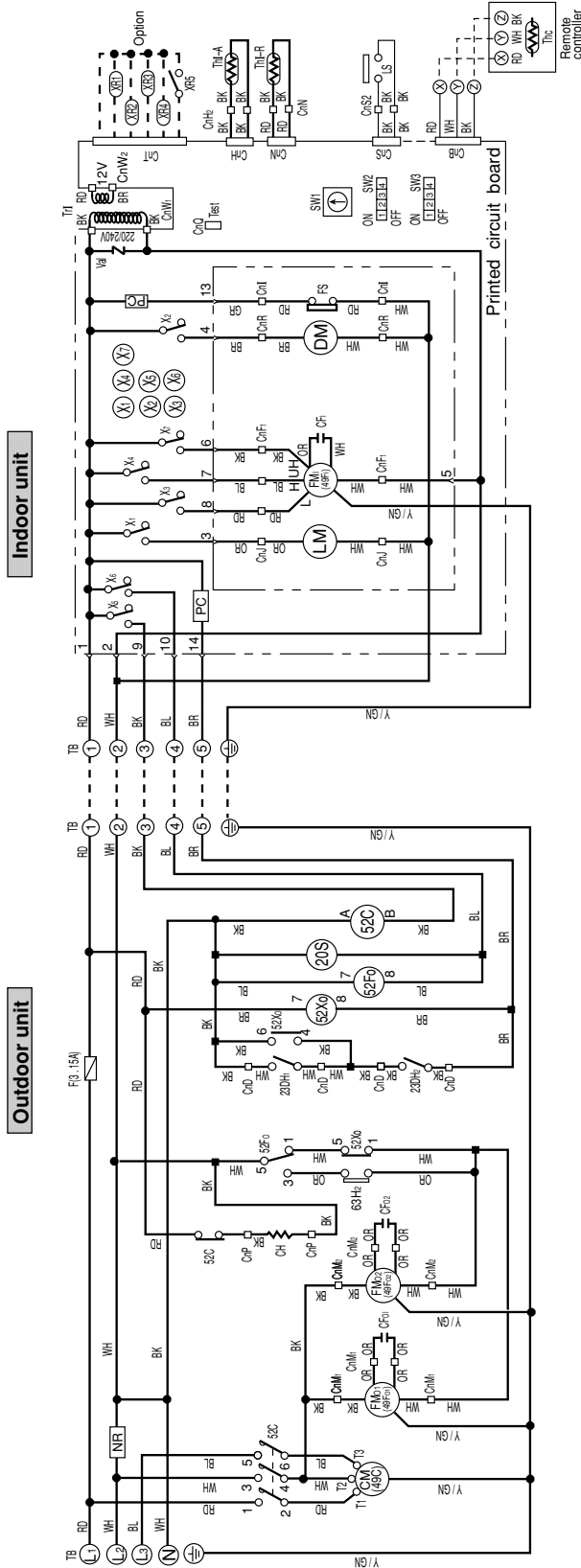


Power Source
3 Phase 380-415V 50Hz / 380V 60Hz



Meaning of marks

Mark	Parts name	Mark	Parts name
CF1	Capacitor for FM1	Thc	Thermistor
CF01,2	Capacitor for FM0	Th-A	Thermistor
CH	Crankcase heater	Th-R	Thermistor
CM	Compressor motor	Trl	Transformer
CnA ~ W	Connector (□ mark)	Val	Valve
DM	Drain motor	20S	20S
F	Fuse	52Fo	52Fo
FM0,1,2	Fan motor (Indoor unit)	52X0	52X0
FS	Float switch	52X0	52X0
LM	Lower motor	52X0	52X0
LS	Limit switch	52X0	52X0
NR	Surge suppressor	52X0	52X0
PC	Photo coupler	52X0	52X0
SW1	Switch (Address set)	52X0	52X0
SW2, 3	Changeover switch	52X0	52X0
TB	Terminal block (○ mark)	52X0	52X0

Color mark

Mark	Color
BK	Black
BL	Blue
BR	Brown
GR	Gray
OR	Orange
RD	Red
WH	White
Y/GN	Yellow/Green