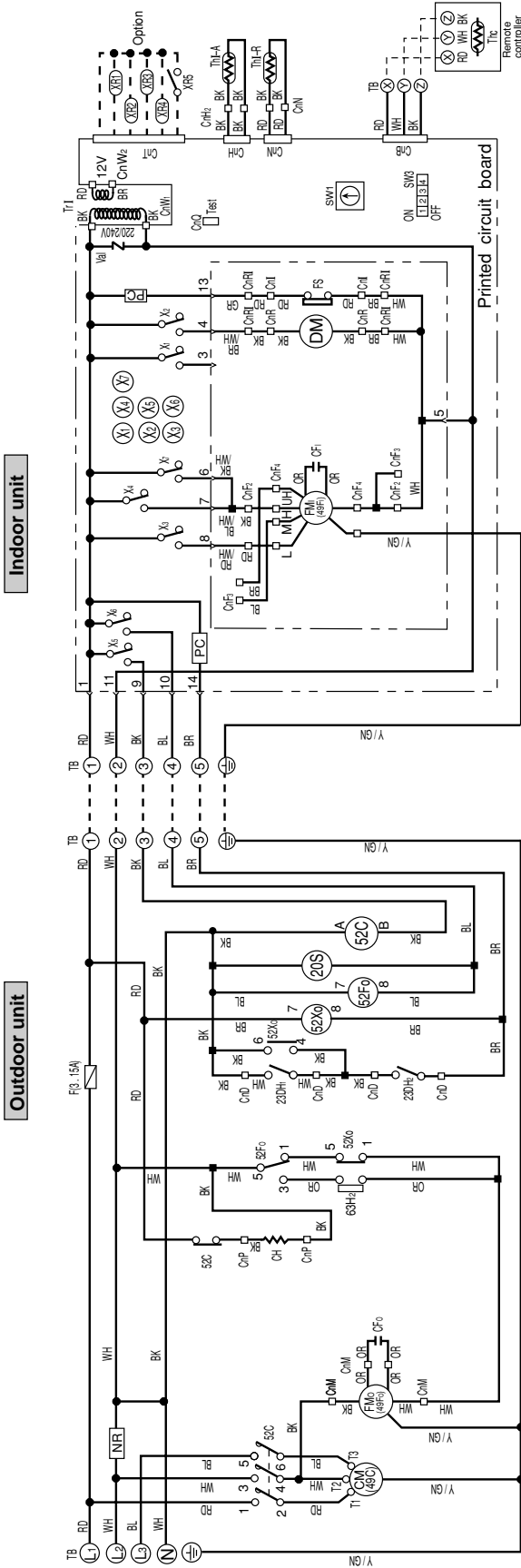


Power source  
3 Phase 380/415V 50Hz



Color mark	
Mark	Color
BK	Black
BL	Blue
BR	Brown
GR	Gray
OR	Orange
RD	Red
WH	White
Mark	Color
BK/WH	Black/White
BL/WH	Blue/White
BR/WH	Brown/White
RD/WH	Red/White
Y/GN	Yellow/Green

Meaning of marks	
Mark	Parts name
CFi	Capacitor for FMi
CFO	Capacitor for FMO
CH	Crankcase heater
CM	Compressor motor
CnA ~ W	Connector (□ mark)
DM	Drain motor
F	Fuse
FMi	Fan motor (Indoor unit)
FMO	Fan motor (Outdoor unit)
FS	Float switch
NR	Surge suppressor
PC	Photo coupler
SW1	Switch (Address set)
SW3	Changeover switch
TB	Terminal block (○ mark)
Thc	Thermistor
Th-A	Thermistor
Th-R	Thermistor
Trl	Transformer
Val	Valve
20S	20S
23DH	4-way valve solenoid
49C	Thermostat (deicer)
49Fi	Internal thermostat for CM
49Fo	Internal thermostat for FMi
52C	Internal thermostat for FMO
52Fo	Magnetic contactor for CM
52Xo	Relay for FMO
X1~7	Relay for fan control
63H2	Auxiliary relay
▽	High pressure switch (for control)
■	Terminal (F)
○	Connector