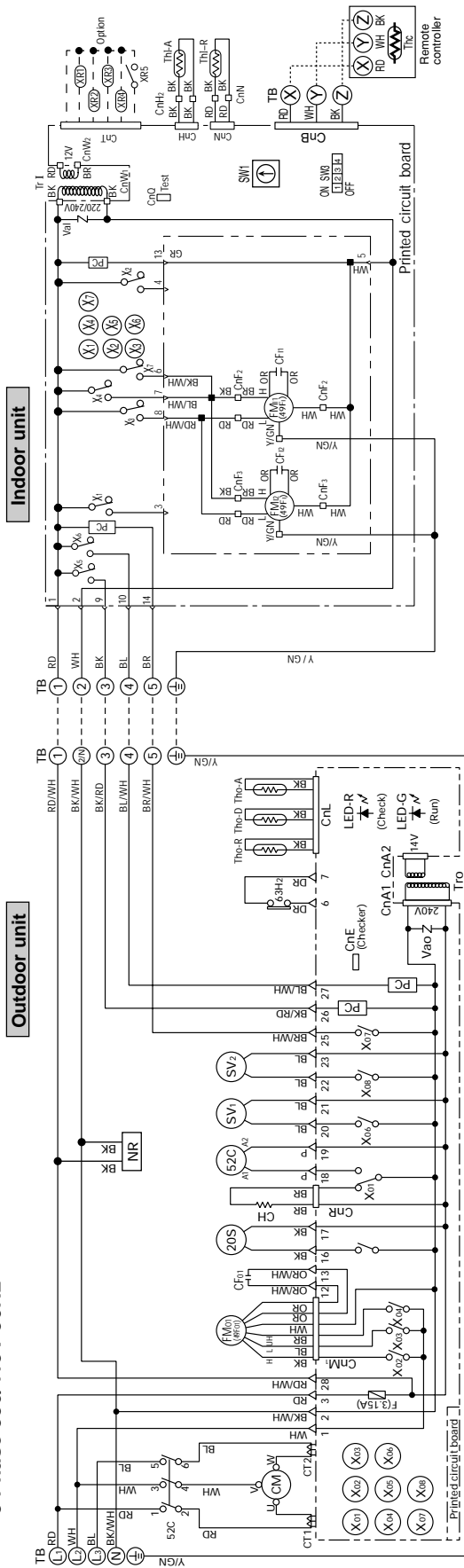


## Model FDFL308HES-SA

**Power source**  
3 Phase 380/415V 50Hz



### Meaning of marks

Mark	Parts name	Mark	Parts name
CF11.2	Capacitor for FMI	Tho-D	Thermistor
CF01	Capacitor for FMO	Tho-R	Thermistor
CH	Crankcase heater	Tr	Transformer (Indoor unit)
CM	Compressor motor	TrO	Transformer (Outdoor unit)
CnA ~ Z	Connector (C mark)	Val	Valvistor
CT1.2	Current sensor	Vao	Variator
F	Fuse	20S	4-way valve solenoid
FM11.2	Fan motor (Indoor unit)	49F1	Internal thermostat for FMI
FM01	Fan motor (Outdoor unit)	49F01	Internal thermostat for FMO
NR	Surge suppressor	52C	Magnetic contactor for CM
PC	Photo coupler	X11-7	Auxiliary relay
SV1,2	Solenoid coil (for control)	X01-08	Auxiliary relay
SW1	Switch (Address set)	63H2	High pressure switch (for control)
SW3	Changeover switch	▽	Terminal (F)
TB	Terminal block (O mark)	□	Connector
Th-A	Thermistor	○	Indication lamp (Green)
Th-R	Thermistor	△	Indication lamp (Red)
Tho-A	Thermistor		

### Color mark

Mark	Color	Mark	Color
BK	Black	BK/RD	Black/Red
BL	Blue	BL/WH	Black/White
BR	Brown	BL/WH	Blue/White
GR	Gray	BR/WH	Brown/White
OR	Orange	OR/WH	Orange/White
P	Pink	RD/WH	Red/White
RD	Red	Y/GN	Yellow/Green
WH	White		