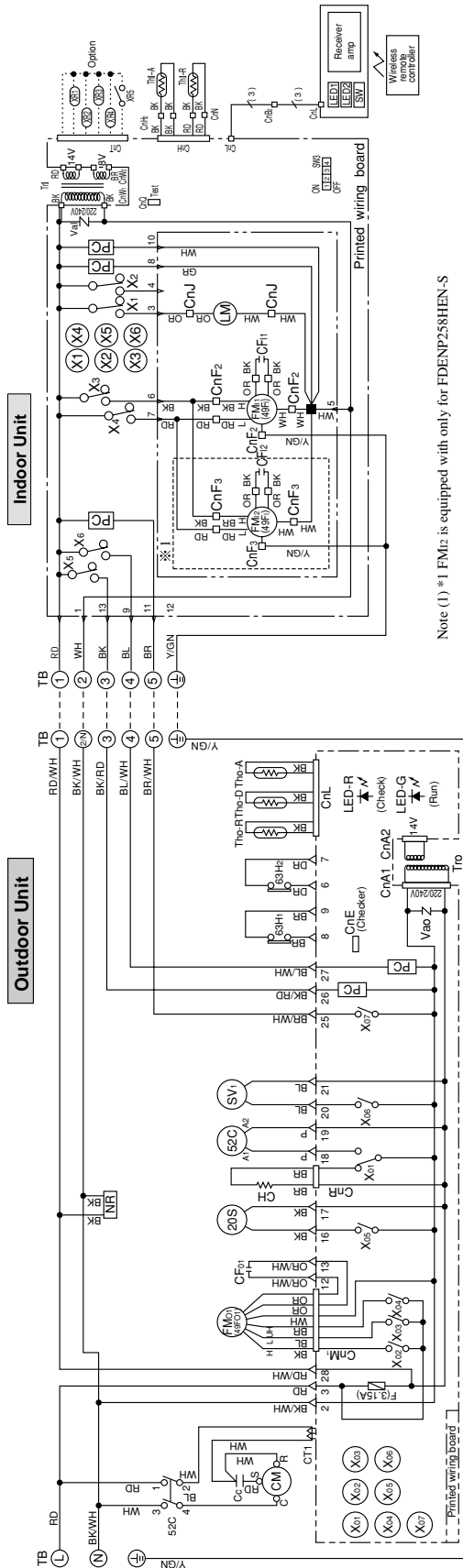


Models FDENP208HEN-S, 258HEN-S

Power source
1 Phase 220/240V 50Hz



Note (1) *1 FMz is equipped with only for FDENP258HEN-S

Color mark

Mark	Color	Mark	Color
BK	Black	BK/RD	Black/Red
BL	Blue	BK/WH	Black/White
BR	Brown	BL/WH	Blue/White
GR	Gray	BR/WH	Brown/White
OR	Orange	OR/WH	Orange/White
PK	Pink	RD/WH	Red/White
RD	Red	Y/GN	Yellow/Green
WH	White		
Y	Yellow		

Meaning of marks

Mark	Parts name	Mark	Parts name
CC	Capacitor for CM	Th-R	Thermistor
CF1,2	Capacitor for FMi	Tho-A	Thermistor
CFo	Capacitor for FMo	Tho-R	Thermistor
CH	Crankcase heater	Tr	Transformer (Indoor unit)
CM	Compressor motor	TrO	Transformer (Outdoor unit)
CnA ~ W	Connector (□ mark)	Val	Valvistor
CT1	Current sensor	Vao	Varistor
F	Fuse	20S	4-way valve solenoid
FM1,2	Fan motor (Indoor unit)	49F1	Internal thermostat for FMi
FMO	Fan motor (Outdoor unit)	49Fo	Internal thermostat for FMo
LED1	Indication lamp (Green - Run)	52C	Magnetic contactor for CM
LED2	Indication lamp (Yellow - Timer/Check)	X1-6	Auxiliary relay
LM	Louver motor	X01-07	Auxiliary relay
NR	Surge suppressor	63H1	High pressure switch (for protection)
PC	Photo coupler	63H2	High pressure switch (for control)
SV1	Solenoid coil (for control)	△	Terminal (F)
SW	Switch (ON/OFF)	LED-G	Indication lamp (Green)
SW3	Changeover switch	LED-R	Indication lamp (Red)
TB	Terminal block (○ mark)		
Th-A	Thermistor		